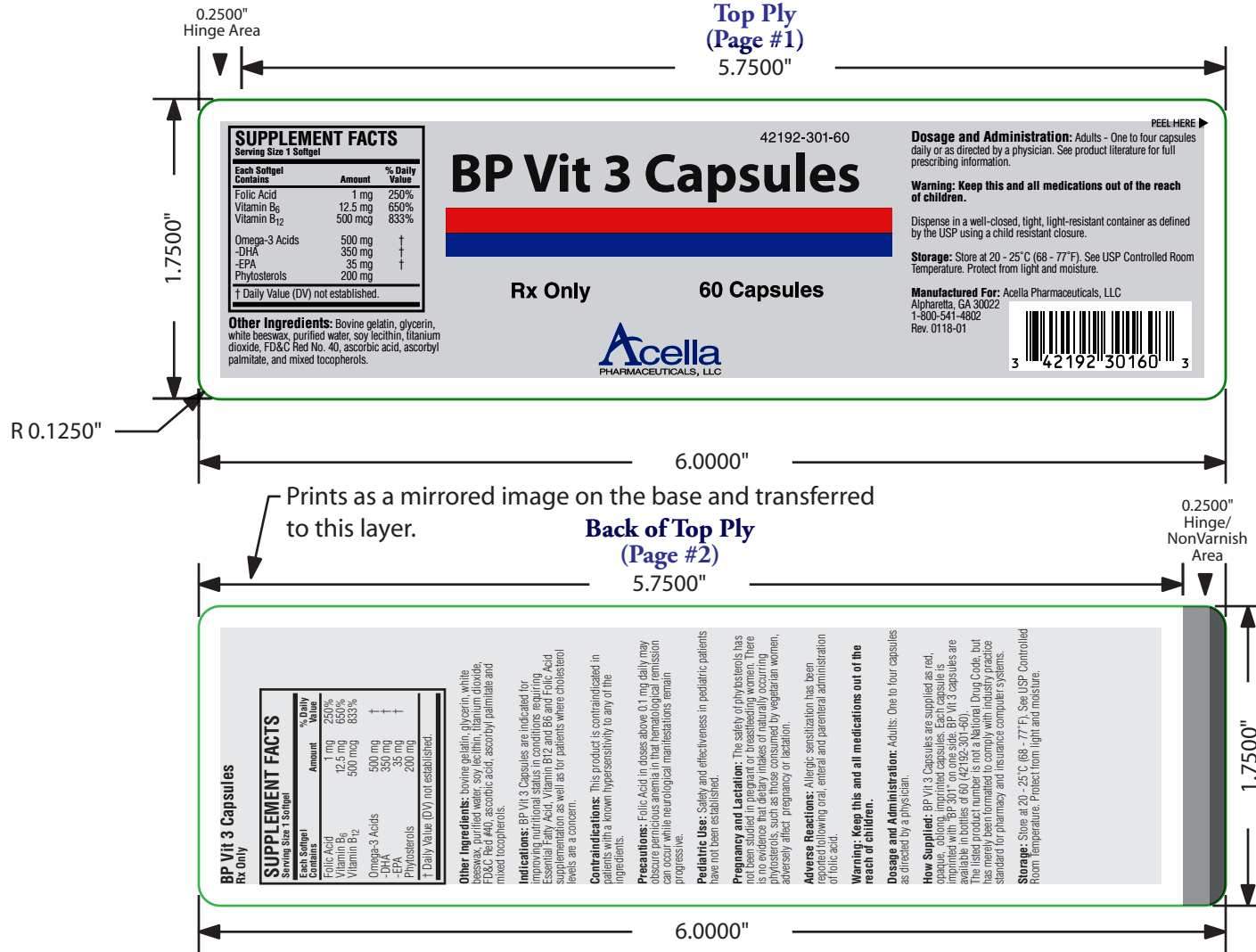


# 2 Ply Label Top Ply



Graphics Proof		Rev.#	Date	BC Grade	Artist	Copy Position	Please indicate status below. Please sign, date, and return if approved.				
Customer:	Acella Pharmaceuticals	1	01/12/18	A	SS	#4	DIE LINE	NON-VARNISH AREA			<input type="checkbox"/> REVISE and RE-PROOF <input type="checkbox"/> APPROVED APPROVAL SIGNATURE _____ DATE: _____ APPROVAL SIGNATURE _____ DATE: _____
Product Name:	60ct. BP Vit 3 Capsules (2-Ply)	2	01/15/18	A	KH		FRONT BLACK	FRONT PMS 2935	FRONT PMS 185	FRONT FLOOD VARNISH	
Part #:	N/A					BLACK (Back of Top Ply)					THIS PROOF IS NOT INTENDED FOR COLOR REPRESENTATION. PLEASE REVIEW FOR COPY AND POSITIONING OF GRAPHICS AND TEXT.
Size (H x W):	1.7500" x 6.0000"										
Date:	01/15/18										
Rev:	2										

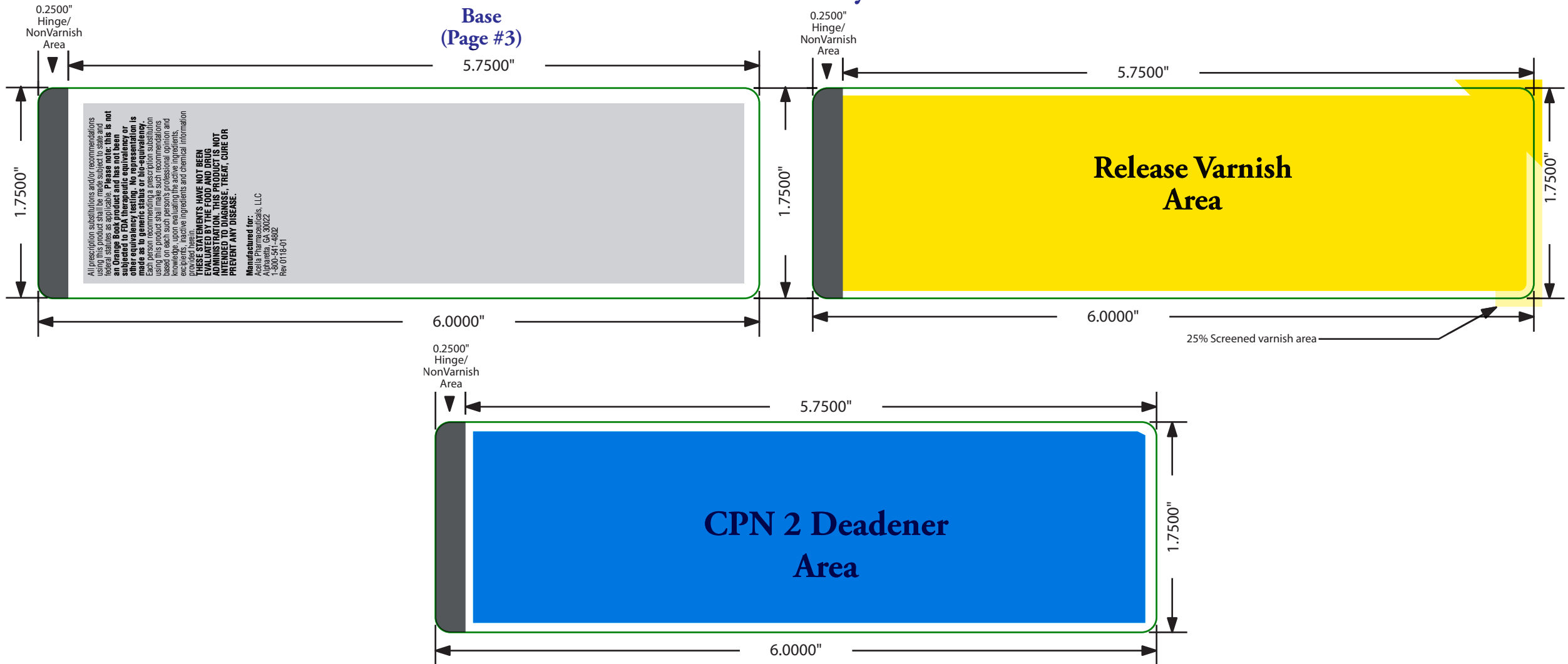


TEXAS  
4251 Empire Road Ft. Worth, TX 76155  
Tel: 469.733.1506 Fax: 469.733.1510

NEW JERSEY  
5 Thornton Road Oakland, NJ 07436  
Tel: 469.733.1506

www.platinumpress.com

# 2 Ply Label Bottom Ply



Graphics Proof		Rev.#	Date	BC Grade	Artist	Copy Position	Please indicate status below. Please sign, date, and return if approved.			
Customer:	Acella Pharmaceuticals	1	01/12/18	A	SS	DIE LINE	NON-VARNISH AREA		<input type="checkbox"/> REVISE and RE-PROOF	<input type="checkbox"/> APPROVED
Product Name:	60ct. BP Vit 3 Capsules (2-Ply)	2	01/15/18	A	KH	BLACK (Bottom Ply)	RELEASE VARNISH	CPN 2 DEADENER	APPROVAL SIGNATURE _____	DATE: _____
Part #:	N/A								APPROVAL SIGNATURE _____	DATE: _____
Size (H x W):	1.7500" x 6.0000"								THIS PROOF IS NOT INTENDED FOR COLOR REPRESENTATION. PLEASE REVIEW FOR COPY AND POSITIONING OF GRAPHICS AND TEXT.	
Date:	01/15/18								www.platinumpress.com	
Rev:	2									

**PLATINUM PRESS**  
 TEXAS  
 4251 Empire Road Ft. Worth, TX 76155  
 Tel: 469.733.1506 Fax: 469.733.1510  
 NEW JERSEY  
 5 Thornton Road Oakland, NJ 07436  
 Tel: 469.733.1506